

LW-WUH35-25

ACCESSORIES :



Aluminium Endcap Code: WUH35-25-Cap
(without hole)



Suspension Kits
Code: Sus.KitsA



(Optional)

Joiners 120°A
Code: J-120A



(Optional)

Metal Clip
Code: MC-WN35



(Optional)

Joiners 180°A
Code: J-180A



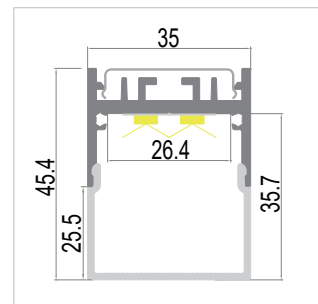
(Optional)

Joiners 90°A
Code: J-90A



(Optional)

Wall Clips
Code: WClip



LW-WUH35-25

Optional Diffuser(PMMA)

WUH35-25					
Dimensions(mm)	Max strip width	Opal	New Opal	Frosted	Clear
35*45.4	26.4mm	✓	/	/	/
Code		WUH35-25-O	/	/	/
Light Transmittance		60%	/	/	/

< 38.4 W/m

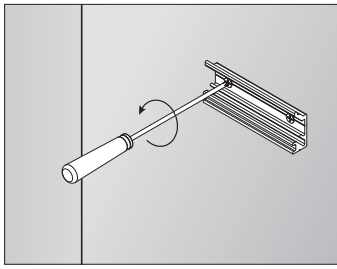
Aluminum Profile Weight:0.58kg/m

Stocked length availability:2m,2.5m.
Customized length below 6m upon your request.

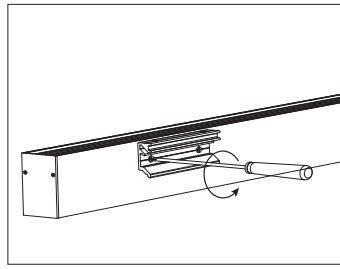


Installing Instructions

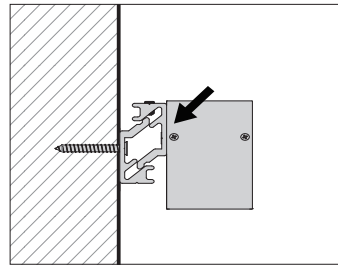
Wall Mounted



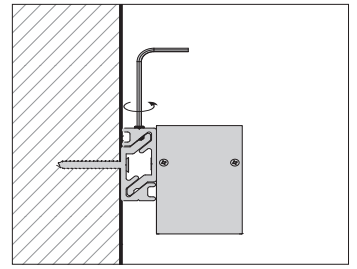
1. Attach the wall side clip to surface



2. Attach the other side of clip to light fixture

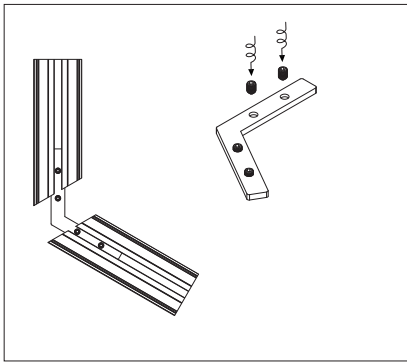


3. Mount the light fixture onto the wall attachment

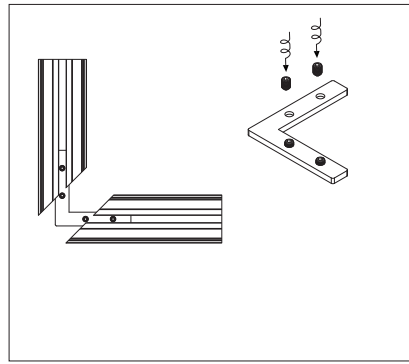


4. Secure the clips to ensure it stays in place

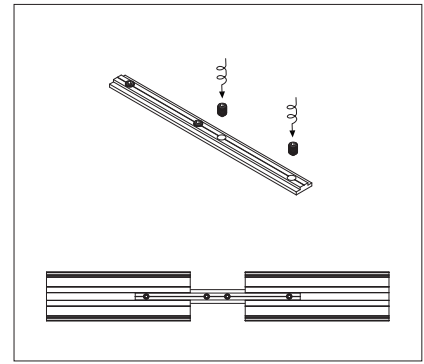
Applicable joiners



120°



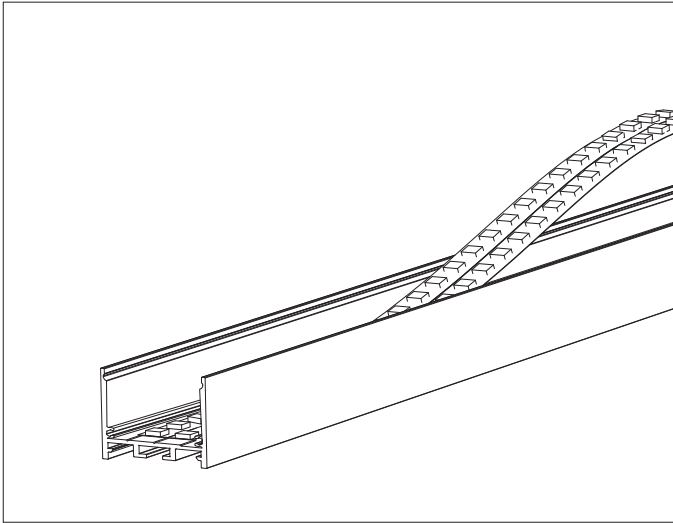
90°



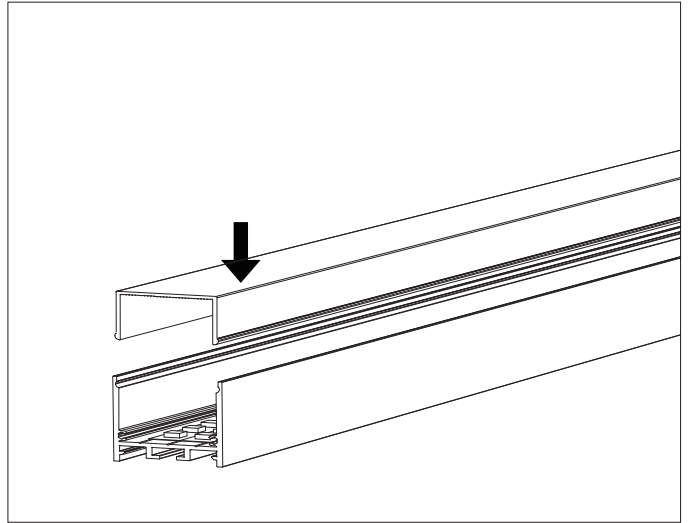
180°

Other installation & Connection ways.

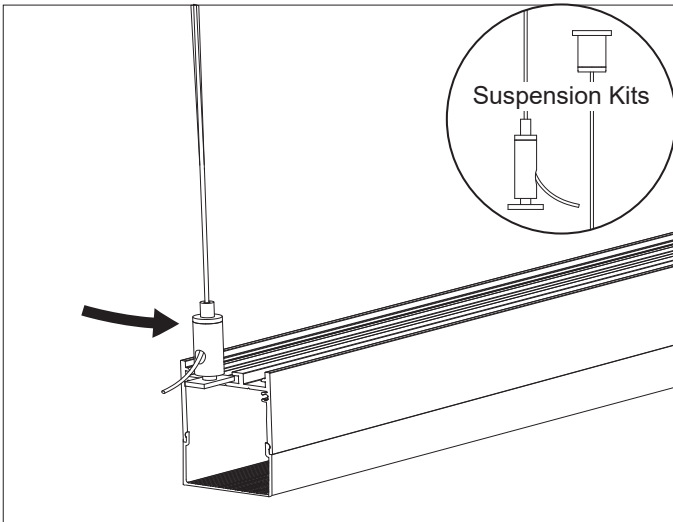




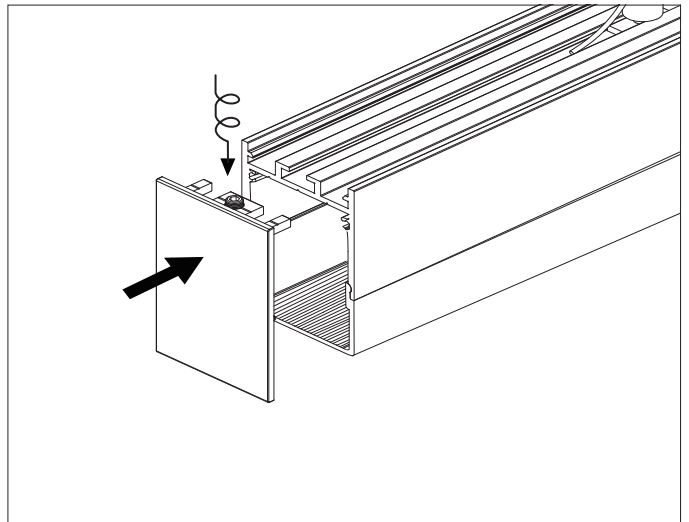
1. Apply LED strips into the profile



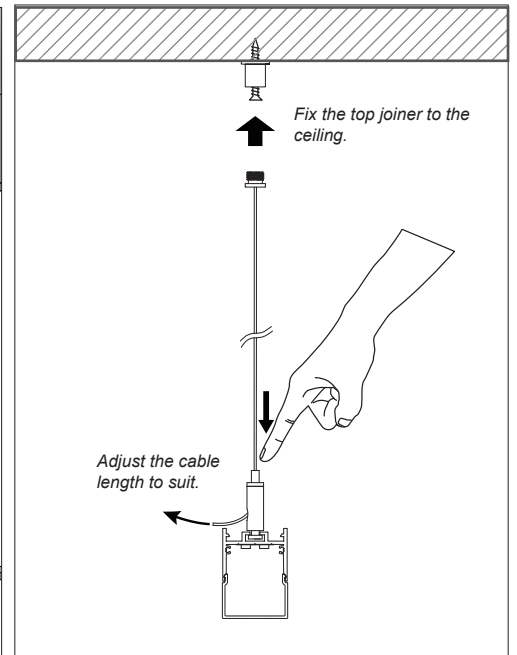
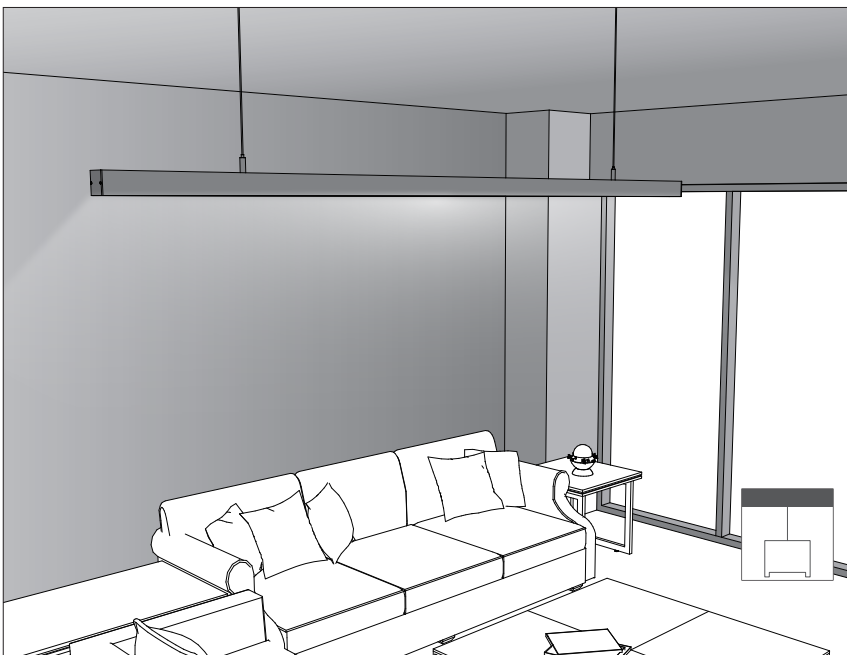
2. Attach diffuser to profile, working from end to end



3. Install the Suspension Kits



4. Finally screw the end caps on





Installing Instructions

Surface

